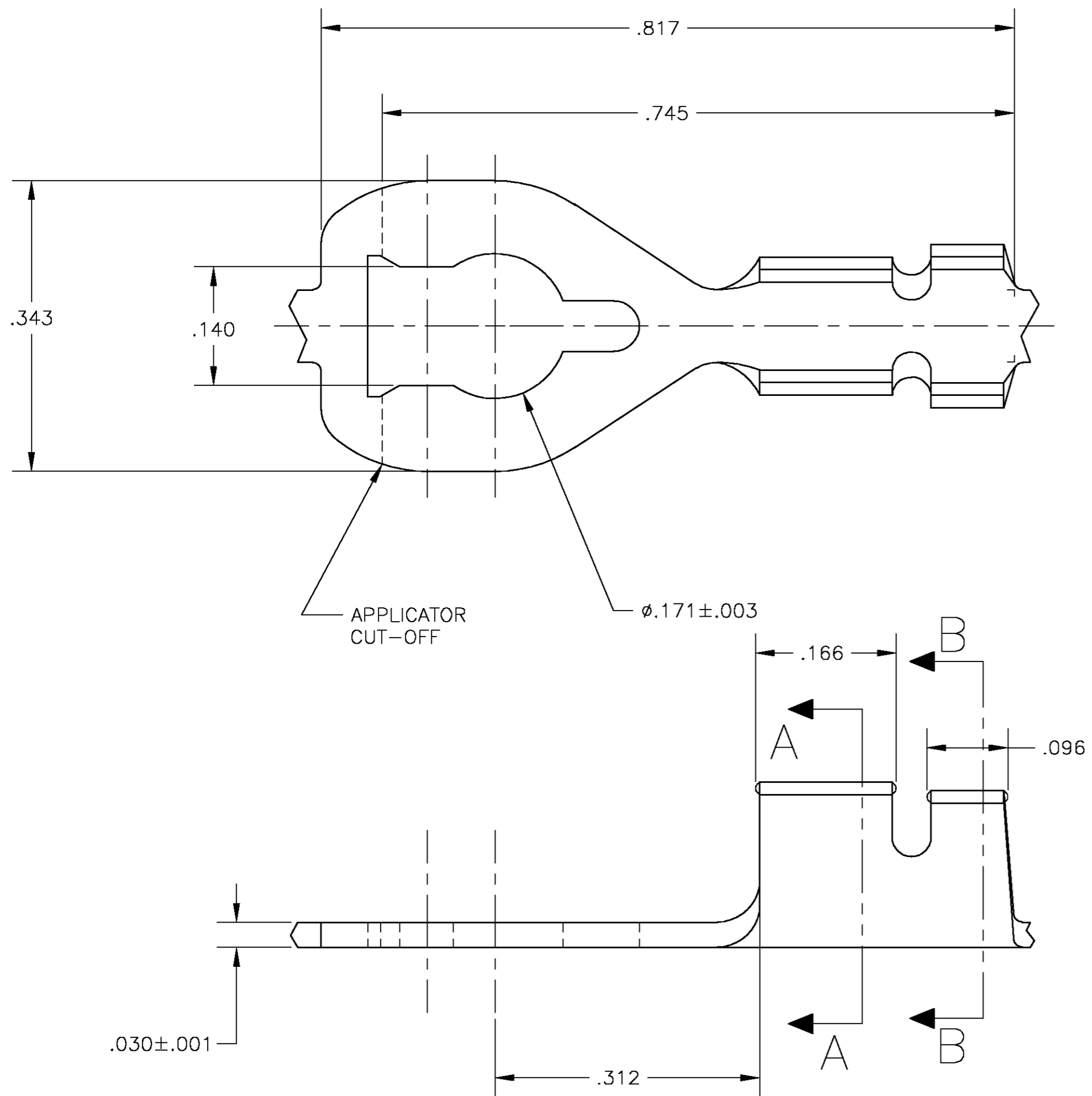
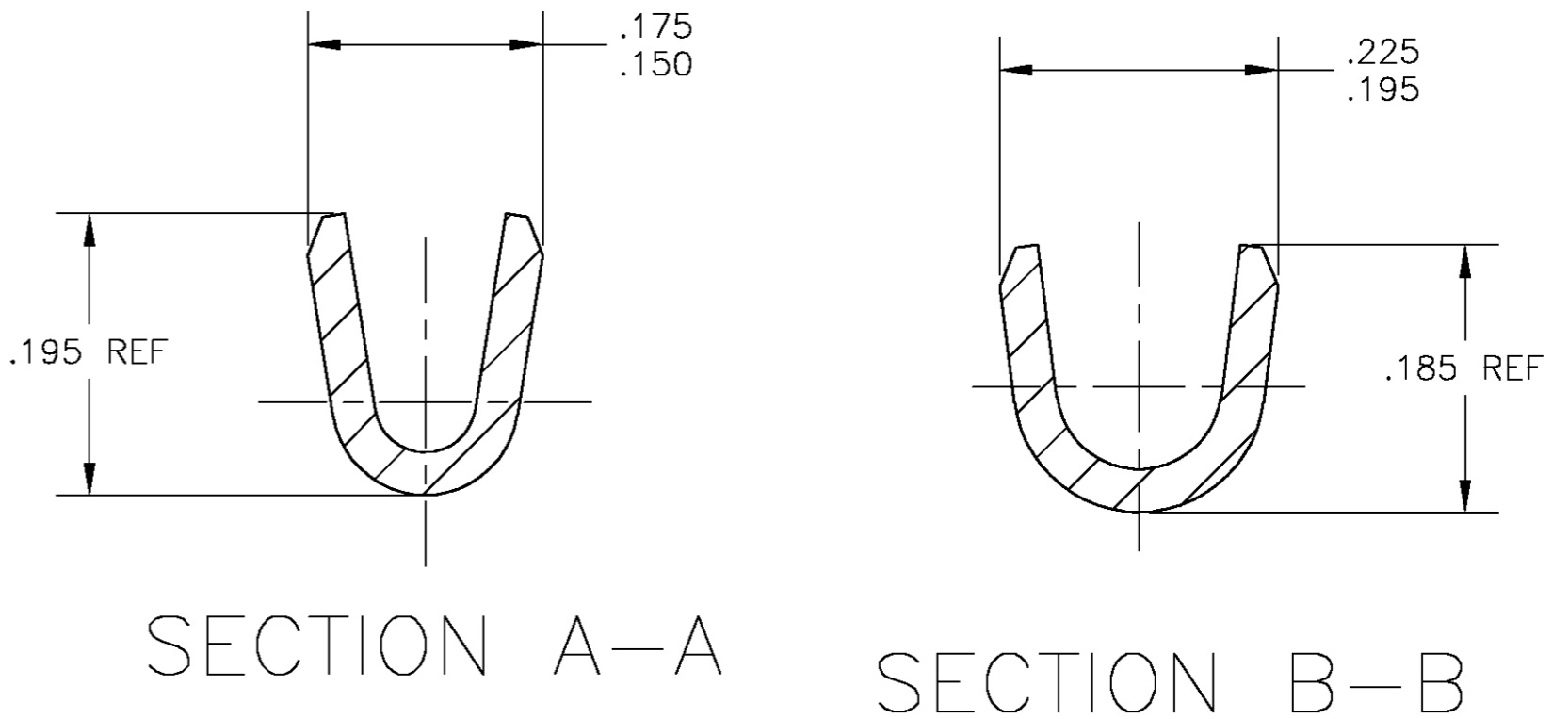


THIS DRAWING IS UNPUBLISHED. RELEASED FOR PUBLICATION
 © COPYRIGHT 1964 BY TYCO ELECTRONICS CORPORATION. ALL RIGHTS RESERVED.

LOC	DIST	REVISIONS			
P	LTR	DESCRIPTION	DATE	DWN	APVD
AF	50	R	REDRAWN PER OG3A-0678-03	05NOV03	MF DD



- 1 CONTINUOUS STRIP ON REELS.
- 2 WIRE RANGE: #18-#14 AWG.
- 3 INSULATION RANGE: .100-.140 DIA.
- △ FOREIGN PRODUCTION ONLY.



FINISH	MATERIAL	PART NUMBER
.000080 MIN TIN PLATE	H03 PHOSPHOR BRONZE	42168-3
.000080 MIN TIN PLATE	H03 BRASS	42168-2
-	H03 BRASS	△ 42168-1

THIS DRAWING IS A CONTROLLED DOCUMENT.		DWN MICHAEL S. FEHER 05NOV2003	Tyco Electronics Corporation Harrisburg, PA 17105-3608	
DIMENSIONS: INCHES		CHK DONALD F. DECKER 05NOV2003	NAME TERMINAL, SPRING SPADE #8 STUD,	
TOLERANCES UNLESS OTHERWISE SPECIFIED: 0 PLC ± - 1 PLC ± - 2 PLC ± - 3 PLC ± .015 4 PLC ± - ANGLES ± 1°		APVD DONALD F. DECKER 05NOV2003	DRAWING NO A2 00779 C=42168	
MATERIAL SEE TABLE	FINISH SEE TABLE	WEIGHT -	SCALE 8:1	SHEET 1 OF 1
CUSTOMER DRAWING		REV R		